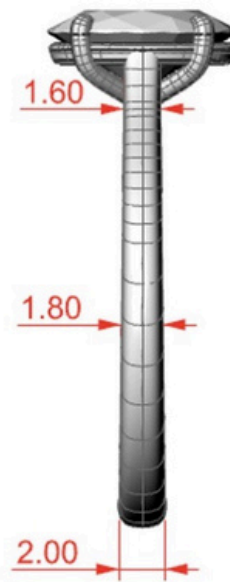
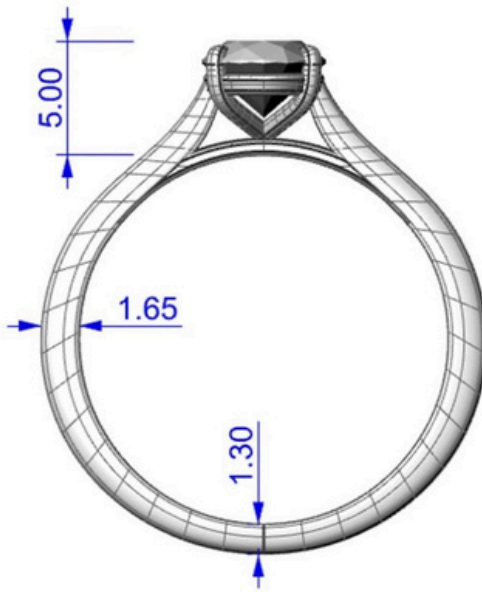
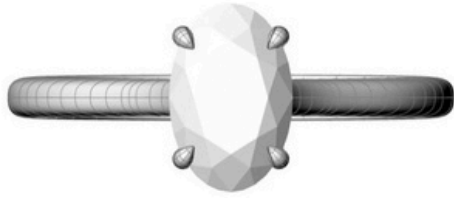


LR26022319

WG 18K Est. \pm 3.0g
Ringsize = 12

Diamond:

1.0ct (8.31x5.46x3.41mm)



CUSTOMER 180059

