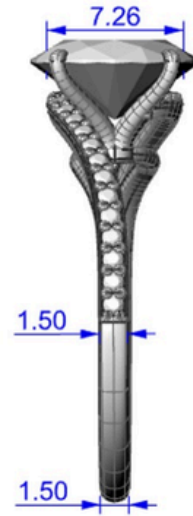
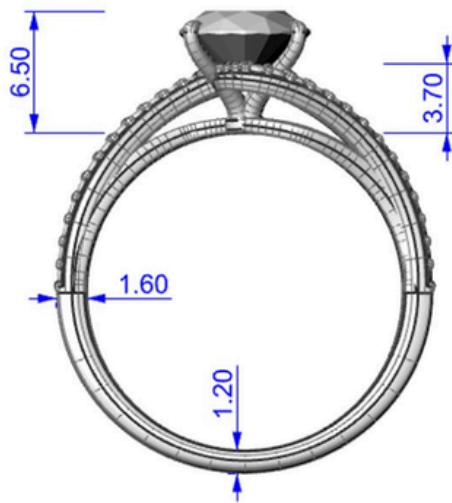


LR26021614

YG 18K Est ± 2.99g
Ringsize = 14

Diamond:
Center Oval = 2.0ct (9x7mm)
Rd. 4 @ 0.004ct / 1.0mm
Rd. 24 @ 0.006ct / 1.1mm



CUSTOMER 180045

