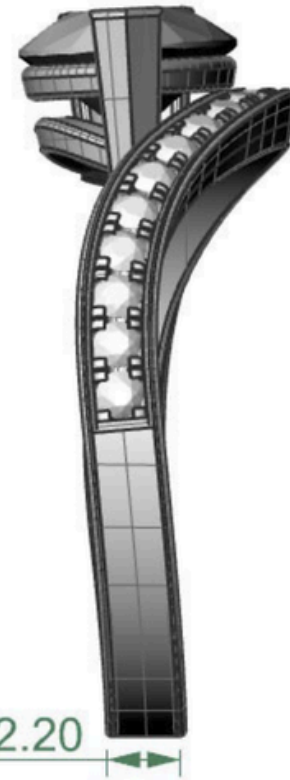
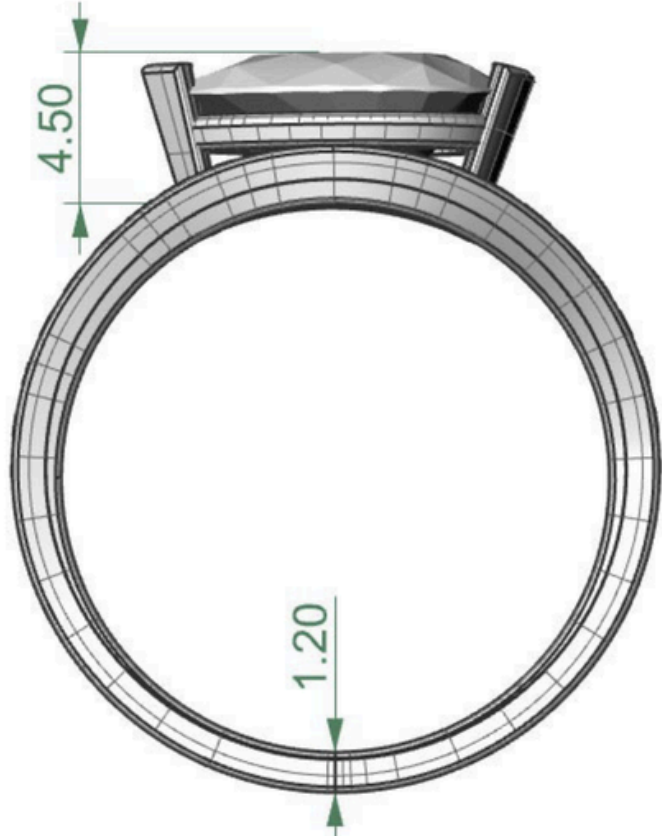




## LR260216

Whitegold18k  
estWeight = 3.7gr  
RingSize = 13

Round 1.51ct  
(10.50x6.34x3.95mm)  
Round 0.012ct = 21pcs



**CUSTOMER 180041**

